

## 40Watt,Dual/Triple Output,AC-DC Open Frame Converter



### FEATURES:

- Universal Input 90~264VAC
- High Efficiency at 80% Typical
- Protection: Short Circuit /Overload/Over voltage
- Internal Input Filter
- 2 Years Warranty

$\frac{G}{A} \frac{B}{B} \frac{040}{C} - \frac{T}{D} \frac{051205}{E}$

A:Series  
 B:Open Frame  
 C:Output Watt  
 D:Dual(D) Triple(T)  
 E:Output Voltage

Specifications typical at TA=25°C, nominal input voltage and rated output current unless otherwise specified

Part Number	Output Voltage (V)	Output Current(A)			Voltage Accuracy (%)	Line Reg. (%)	Load Reg. (%)	Efficiency (%)
		Convection cooled		Max 18 CFM				
		MIN	RATED	MAX				
GB040-D0512	5(Vo1)	0.64	3.2	5.0	±3	±1	±3	79
	12(Vo2)	0.4	2.0	2.5	±5	±2	±5	
GB040-D0524	5(Vo1)	0.4	3.2	5.0	±3	±1	±3	80
	24(Vo2)	0.2	1.0	1.5	±5	±2	±5	
GB040-T051205	5(Vo1)	0.4	3.0	5.0	±3	±1	±3	75
	12(Vo2)	0.2	2.0	2.5	±5	±2	±5	
	-5(Vo3)	0	0.3	0.5	±5	±1	±5	
GB040-T051212	5(Vo1)	0.4	3.0	5.0	±3	±1	±3	75
	12(Vo2)	0.2	2.0	2.5	±5	±2	±5	
	-12(Vo3)	0	0.3	0.5	±5	±1	±5	
GB040-T051515	5(Vo1)	0.4	3.0	5.0	±3	±1	±3	75
	15(Vo2)	0.2	2.0	2.5	±5	±2	±5	
	-15(Vo3)	0	0.3	0.5	±5	±1	±5	
GB040-T052412	5(Vo1)	0.4	3.0	5.0	±3	±1	±3	75
	24(Vo2)	0.2	2.0	2.5	±5	±2	±5	
	-12(Vo3)	0	0.3	0.5	±5	±1	±5	
GB040-T052405	5(Vo1)	0.4	3.0	5.0	±3	±1	±3	75
	24(Vo2)	0.2	1.0	1.5	±5	±2	±5	
	-5(Vo3)	0	0.3	0.5	±5	±1	±5	
GB040-T030512	3.3(Vo1)	0.4	5.0	7.0	±3	±1	±3	70
	5(Vo2)	0.2	2.0	3.5	±5	±2	±5	
	-12(Vo3)	0	0.3	0.5	±5	±1	±5	

### Input Specifications

Parameters	Conditions	Min	Typ	Max	Units
Rated input voltage	lo nom		100-240		Vac
Voltage Range	lo nom	90		264	Vac
Frequency		47	50/60	63	Hz
Inrush Current	At 100Vac			20	A
	At 240Vac			40	A
Input Fuse	VDE/UL/CCC FUSE 2.5A/250V				

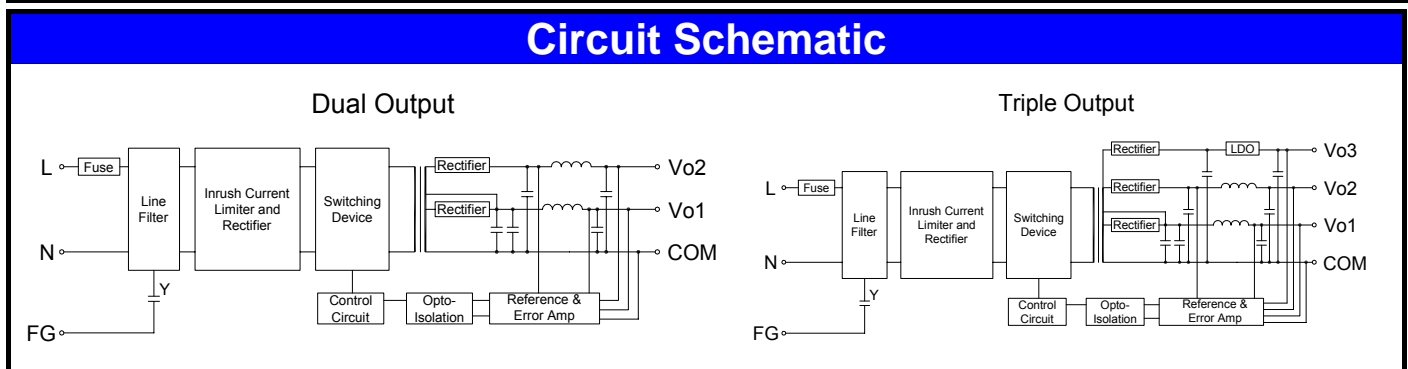
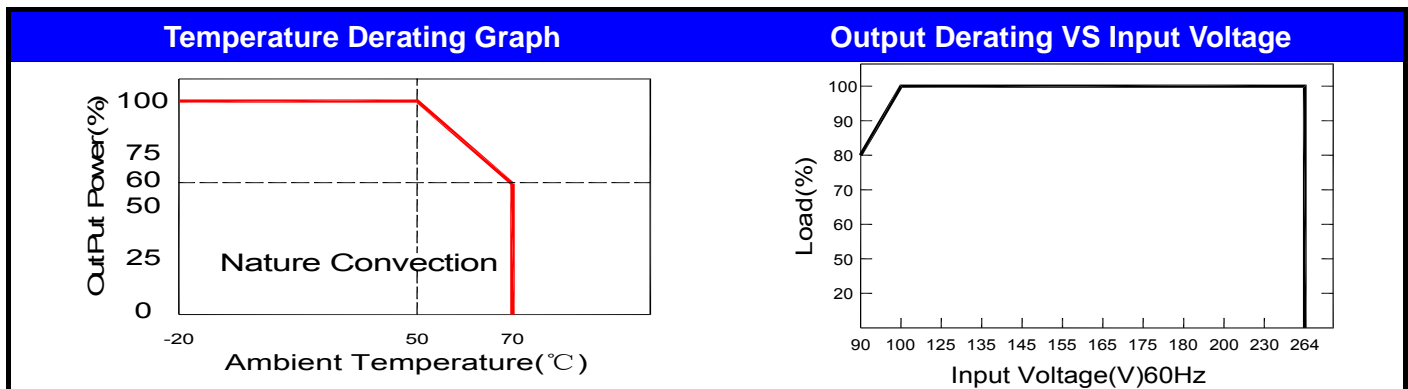
### Output Specifications

Parameters	Conditions	Min	Typ	Max	Units
Output Voltage Accuracy	Vi nom,lo nom(Full load)	See models list			
Minimum Load	Vi nom	See models list			
Protection	Overload	Above 110% rated output power			
		Protection type: Recovers automatically after fault condition is removed			
	Over Voltage(Main Output)	120%-150% rated output Voltage			
Short circuit	Protection type: Shut off o/p voltage, re-power on to recover				
	Recovers automatically after fault condition is removed				
Ripple & Noise	Vi nom,lo nom BW=20MHz	Main output		100	mVp-p
		Supplement Output		150	mVp-p

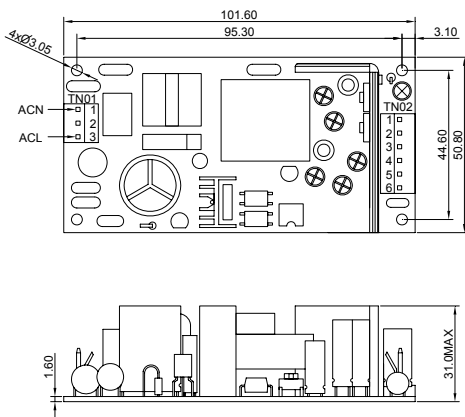
Note. Ripple & noise is measured by using 20 MHz bandwidth, measured with a 47uf paralleled with a high-frequency 0.47uf capacitor across each output by full load.

## 40Watt,Dual/Triple Output,AC-DC Open Frame Converter

General Specifications					
Parameters	Conditions	Min	Typ	Max	Units
Switching Frequency	Vi nom,lo nom		65		KHz
Isolation Voltage	Input / Output	3KVac/ 5mA/5Secs			
Isolation Resistance	Input / Output,@500 Vdc	100			MΩ
Operating Temperature	Operating at Vi nom,lo nom	-20		+70	°C
Derating	Vi nom,lo nom+51 to 71°C			2	%/°C
Storage Temperature	Non Operational	-40		+85	°C
Relative Humidity	Vi nom,lo nom			95	% RH
Dimension	L101.60 x W50.80 x H31.0				mm
Cooling	Free air convection				



### Markings and dimensions



- Notes:
1. Input connector mates with Molex housing 09-50-3031 and Molex 2478 series crimp terminal.
  2. Output connector mates with Molex housing 09-50-3061 and Molex 2478 series crimp terminal.

TN01	Model
PIN	Dual/Triple OUTPUT
1	ACN
2	No Pin
3	ACL
TN02	
1	Vo2
2	Vo1
3	Vo1
4	COM
5	COM
6	Vo3

Unit:mm Unless otherwise specified, all tolerances are ±0.50